

7112 N

# DC axial compact fan



## ebm-papst St. Georgen GmbH & Co. KG

Hermann-Papst-Str. 1  
D-78112 St. Georgen  
Phone +49 (0) 7724 81-0  
Fax +49 (0) 7724 81-1309  
info2@de.ebmpapst.com  
www.ebmpapst.com

### Nominal data

| Type                     | 7112 N            |         |
|--------------------------|-------------------|---------|
| Nominal voltage          | VDC               | 12      |
| Nominal voltage range    | VDC               | 6 .. 15 |
| Speed (rpm)              | min <sup>-1</sup> | 2850    |
| Power consumption        | W                 | 12.0    |
| Min. ambient temperature | °C                | -25     |
| Max. ambient temperature | °C                | 72      |
| Air flow                 | m <sup>3</sup> /h | 308     |
| Sound power level        | B                 | 6.2     |
| Sound pressure level     | dB(A)             | 53      |

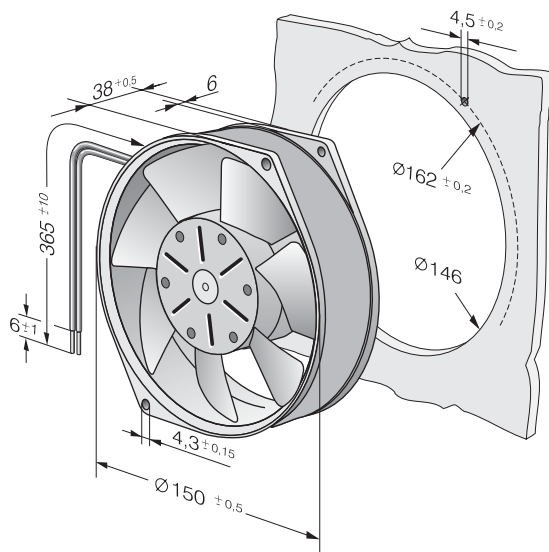
ml = Max. load · me = Max. efficiency · fa = Free air · cs = Customer specification · ce = Customer equipment  
Subject to change



**Technical description**

|  |   |
|--|---|
| <b>General description</b>                     | * Power consumption when wide open; these values may be considerably higher at the operating point. |
| <b>Weight</b>                                  | 0.620 kg  |
| <b>Dimensions</b>                              | Ø 150 x 38 mm   |
| <b>Impeller material</b>                       | Sheet steel, painted black  |
| <b>Housing material</b>                        | Die-cast aluminum   |
| <b>Airflow direction</b>                       | Intake over struts  |
| <b>Direction of rotation</b>                   | Counterclockwise, viewed toward rotor   |
| <b>Storage</b>                                 | Ball bearing  |
| <b>Service life L10 at 40 °C</b>               | 80000 h   |
| <b>Service life L10 at maximum temperature</b> | 37500 h   |
| <b>Cable</b>                                   | Leads AWG 22, TR 64, stripped and tin-plated.   |
| <b>Motor protection</b>                        | Protection against reverse polarity and blocked rotor.  |
| <b>Locked-rotor protection</b>                 | Electronic locked-rotor protection  |
| <b>Approval</b>                                | VDE, CSA, UL, CE  |
| <b>Option</b>                                  | Speed signal  |

## Product drawing



## Curves: Air performance

