

AC axial fan - HyBlade®

sickled blades (S series), single inlet
with full square nozzle

ebm-papst Mulfingen GmbH & Co. KG

Bachmühle 2

D-74673 Mulfingen

Phone: +49(0)7938/81-0

Fax: +49(0)7938/81-110

info1@de.ebmpapst.com

www.ebmpapst.com

Nominal data

Type	W4D630-GD01-01		
Motor	M4D138-LA		
Phase		3~	3~
Nominal voltage	[V]	400	400
Connection		D	Y
Frequency	[Hz]	50	50
Type of data definition		ml	ml
Valid for approval / standard		CE	CE
Speed	[min ⁻¹]	1320	1050
Power input	[W]	2630	1750
Current draw	[A]	4.78	2.95
Max. back pressure	[Pa]	220	140
Max. ambient temperature	[°C]	60	60

ml = max. load · me = max. efficiency · rfa = running at free air · cs = customer specs · cu = customer unit
Subject to alterations

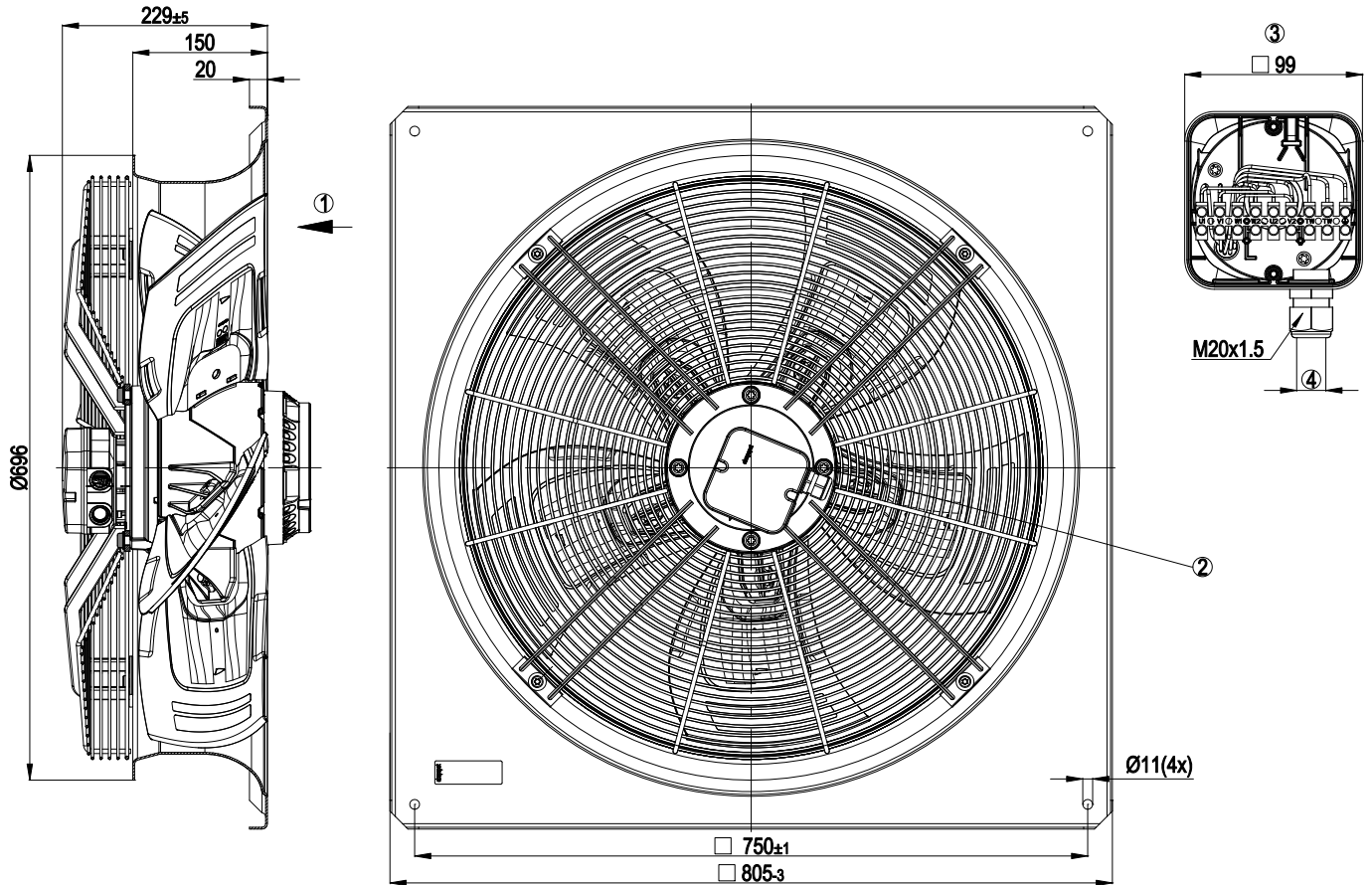
Technical features

Leakage current	<= 3.5 mA
Size	630 mm
Operation mode	S1
Direction of rotation	Clockwise, seen on rotor
Mounting position	Shaft horizontal or rotor on bottom; rotor on top on request
Electrical leads	Via terminal box
Humidity class	F3-1
Blade angle	0°
Direction of air flow	"V"
Insulation class	"F"
Cable exit	Axial
Condensate discharge holes	Rotor-side
Motor bearing	Ball bearing
Mass	38 kg
Material of protective cover	Plastic PA66, fibreglass-reinforced
Material of terminal box	ABS plastic, black
Material of blades	Aluminium sheet insert, sprayed with PP plastic
Material of guard grille	Steel, phosphated and coated in black plastic
Material of wall ring	Sheet steel, pre-galvanised and coated in black plastic
Motor protection	Thermal overload protector (TOP) brought out
Product conforming to standard	CE; EN 60034; EN 61800-5-1
Surface of rotor	Cast in aluminium
Number of blades	5
Type of protection	IP 54
Protection class	I
Max. permissible ambient motor temp. (transp./ storage)	+ 80 °C
Min. permissible ambient motor temp. (transp./storage)	- 40 °C
Approval	VDE

AC axial fan - HyBlade®

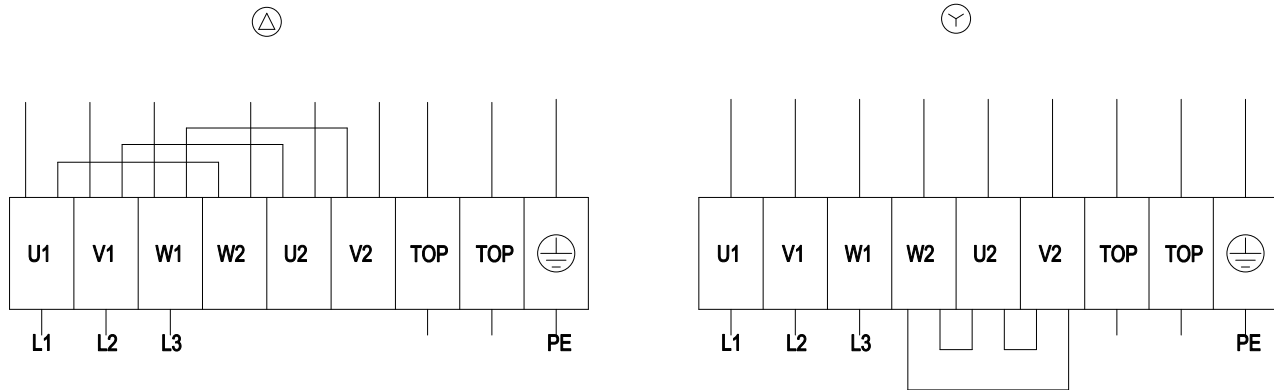
sickled blades (S series), single inlet
with full square nozzle

Product drawing



1	Direction of air flow "V"
2	Tightening torque 0.8 ± 0.3 Nm
3	Illustration without terminal box cover
4	Cable diameter: min. 7 mm, max. 14 mm, tightening torque: 2 ± 0.15 Nm

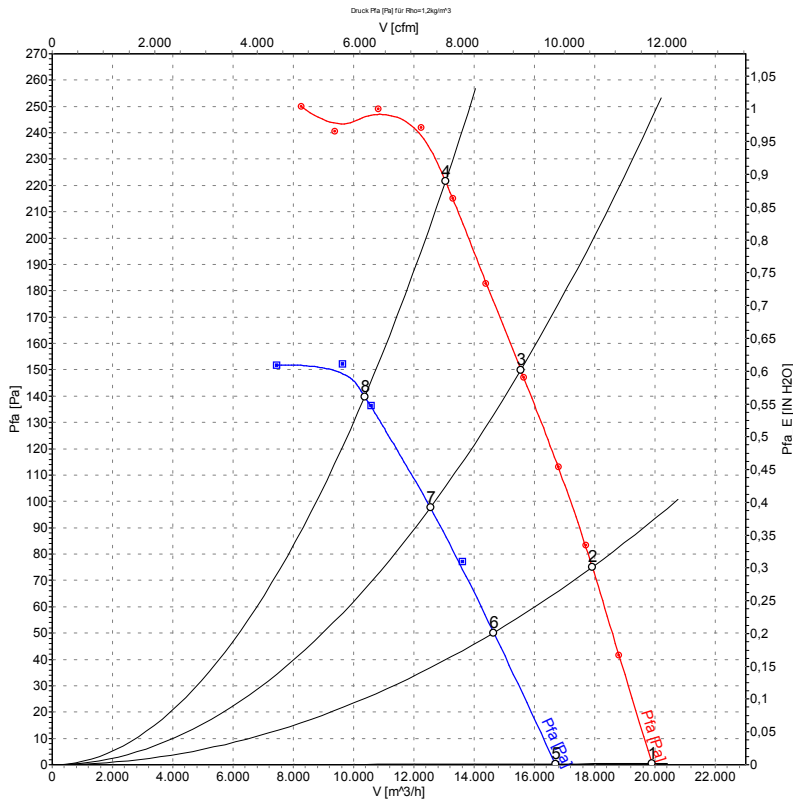
Connection screen



Note: Direction of rotation changes when two phases are reversed

Δ	Delta-connection	Y	Star connection	L1	= U1 = black
L2	= V1 = blue	L3	= W1 = brown	W2	yellow
U2	green	V2	white	TOP	2 x grey
PE	green / yellow				

Charts: Air flow 50 Hz



Measurement: LU-115597
Measurement: LU-115637

Air performance measured as per ISO 5801 Installation Category A. For detailed information on the measuring set-up, please contact ebm-papst. Suction-side noise levels: LwA measured as per ISO 13347 / LpA measured with 1m distance to fan axis. The values given are valid under the measuring conditions mentioned above and may vary according to the actual installation situation. With any deviation from the standard set-up, the specific values have to be checked and reviewed with the unit installed.

Measured values

	Conn.	U	f	n	P ₁	I	LpA _{ss}	LpA _{ds}	LwA _{ss}	LwA _{ds}	Ṃ	P _{fa}
		[V]	[Hz]	[min ⁻¹]	[W]	[A]	[dB(A)]	[dB(A)]	[dB(A)]	[dB(A)]	[m³/h]	[Pa]
1	Δ	400	50	1375	2116	4.07	71	69	79	80	19890	0
2	Δ	400	50	1360	2299	4.29	71	64	78	79	17910	75
3	Δ	400	50	1345	2465	4.56	71	63	77	78	15540	150
4	Δ	400	50	1320	2630	4.78	73	64	80	80	13040	220
5	Y	400	50	1150	1536	2.58	66	68	74	75	16680	0
6	Y	400	50	1115	1615	2.71	65	61	72	73	14640	51
7	Y	400	50	1080	1684	2.83	65	58	72	73	12540	98
8	Y	400	50	1050	1750	2.95	67	58	74	73	10360	140